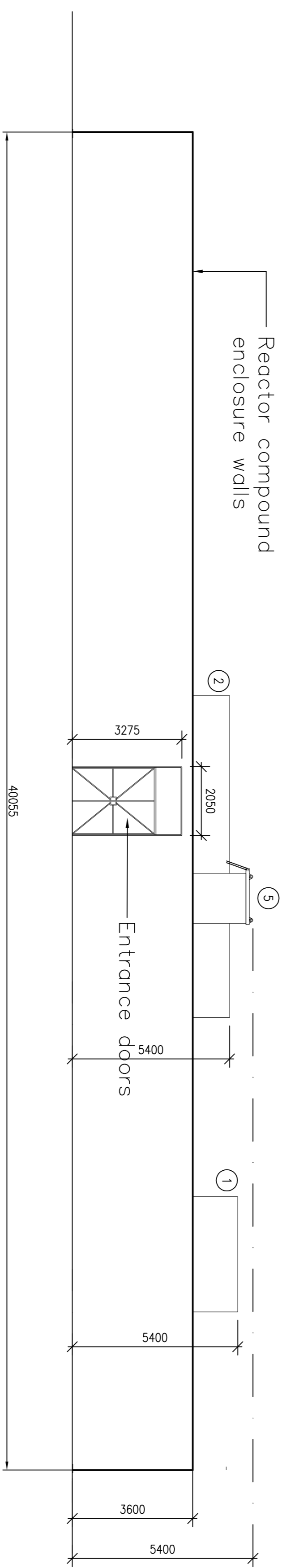
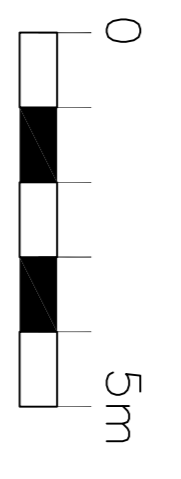


1 REACTOR COMPOUND PLAN
Scale: 1:100 @ A1

- LEGEND**
- 1 STATIC VAR COMPENSATOR
 - 2 SWITCHGEAR BUILDING
 - 3 BUSBAR
 - 4 REACTOR
 - 5 CAPACITOR BANK
 - 6 REACTORS
 - 7 COOLING BANK



2 REACTOR COMPOUND ELEVATION
Scale: 1:100 @ A1



Rev.	Date	Description	Issn	pkd/pped
A	26.08.08	General amendments	DI	MM, MC
B	02.10.08	Height of enclosure reduced	DI	MM, MC
C	03.10.08	Dims added	DI	MM, MC

Issue Status	Project Title	Scale of A1	Issue Date	Issue From	Checked	Approved	Job No.	Drawing No.	Issn	pkd/pped
PLANNING	LONDON ARRAY ONSHORE SUBSTATION FIGURE 5 REACTOR POD PLAN AND ELEVATION	1:100	26.08.08	CDL	MM	MC	0883	0883 (PL)	014	C

83 Paul Street London EC2A 4JT
T 020 7549 3900 F 020 7250 3131
E london@rjm.com W www.rjm.com

RJML

Copyright ©