

London Array Marine Coordinator

+44(0) 792 08 54 358
 +44(0) 791 88 81 811
londonarraytraffic@dongenergy.dk

LONDON ARRAY SUBSEA ROCK INSTALLATION (SRI) ACTIVITIES

Notice is hereby given that Van Oord Offshore BV will be conducting Subsea Rock Installation activities as detailed below.

DESCRIPTION OF WORK:

- The SRI work consists of post-lay rock installation on the HV2 export cable at crossings with Kentish Flats wind farm export cables and crossing with BritNed interconnector cable.
- Offshore loading operations will be conducted at Shivering Sand anchorage.

SUBSEA ROCK INSTALLATION AREA:

Figure 1 shows the extents of the area in which the vessel will be operating.

SRI operations in the London Array windfarm area will be conducted within the area defined by the coordinates below:

	Area	WGS84	
		Latitude (N)	Longitude (E)
1	Shivering Sand anchorage	51° 30.13'	001° 08.08'
2	BritNed HVDC interconnector crossing	51° 28.50'	001° 17.50'
3	Kentish Flats export cables crossings	51° 25.25'	001° 06.00'

VESSEL:

Side Stone Dumping Vessel *HAM 601* will be conducting the SRI activities. For technical information and an impression of the vessel, reference is made to the leaflet at the back of this document.

The vessel will display lights and shapes according to the International collision regulations. The HAM 601 may be contacted on VHF channel 16 or 69.

SSDV HAM 601

Call sign PENA
 IMO number 8215948
 MMSI No. 244972000
 Inmarsat Tel +870 764 628 660
 Inmarsat Fax +870 764 854 215
 Mobile phone bridge +31 653 849 123
 E-mail ham601@vanoord.com

PROPOSED WORK SCHEDULE:

Vessel	Anticipated minimum number of days on site	Earliest Intended Start date	Latest Expected stop date
SSDV HAM 601	10 days	14/12/2011	31/12/2011

FIELD LAYOUT

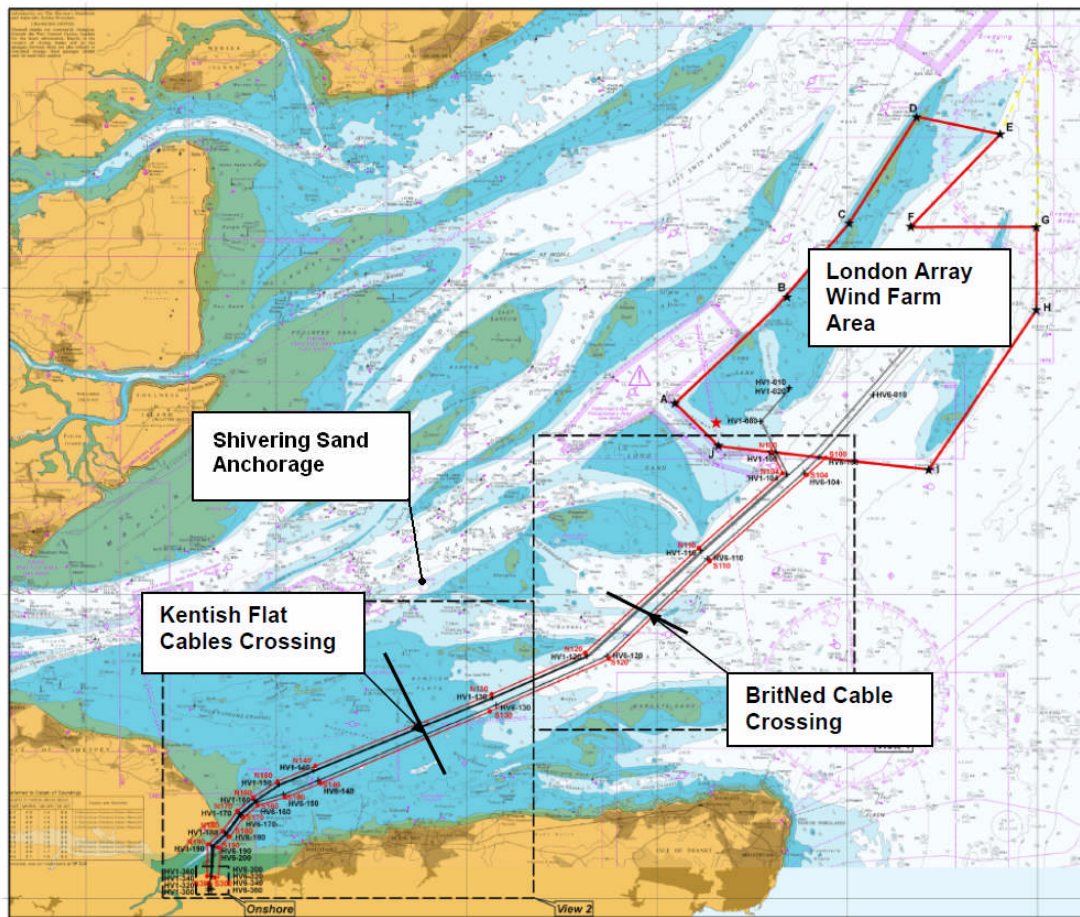
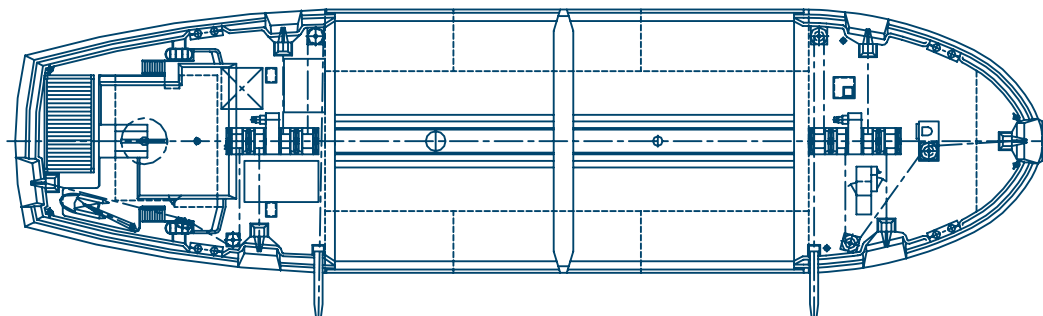
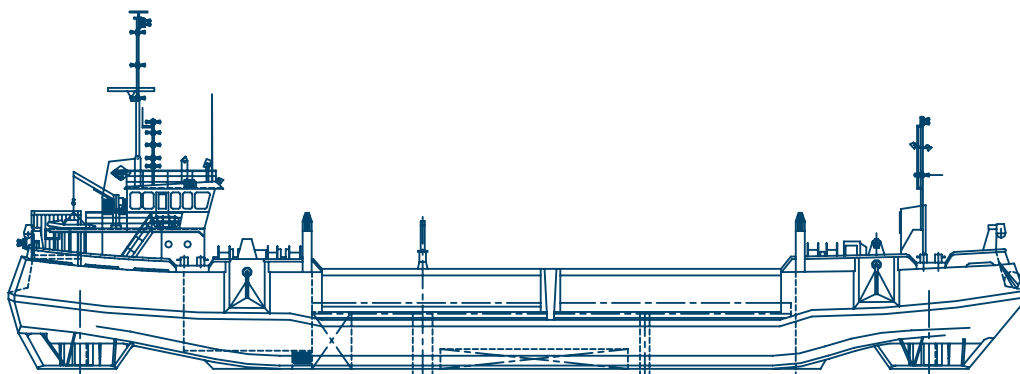


Figure 1: Work area.



Side stone-dumping vessel
HAM 601

equipment



HAM 601

Name	HAM 601	
Type	Side stone-dumping vessel	
Classification	Bureau Veritas I ✕ Hull ✕ Mach, special service, unrestricted navigation	
Year of construction	1983	
Dimensions	Length overall	62.50 m
	Breadth	15.80 m
	Moulded depth	3.50 m
	Draught	3.01 m
Loading capacity	International 1,140 tons	
Deadweight	Dredging mark 1,223 tons	
Tonnage	1,082 GT - 324 NT	
Speed loaded	9 kn	
Propulsion	2 x 625 kW	
Total power installed	2,134 kW	
Positioning	DP	
Nautical equipment	Radar, gyrocompass, autopilot, echosounder	

Van Oord

PO Box 8574
3009 AN Rotterdam
The Netherlands
T +31 10 4478444
F +31 10 4478100
E info@vanoord.com
I www.vanoord.com

Van Oord Offshore bv

PO Box 458
4200 AL Gorinchem
The Netherlands
T +31 183 642200
F +31 183 642708
E area.off@vanoord.com